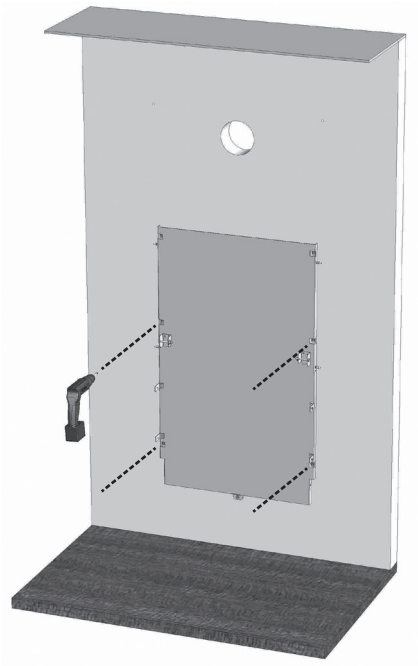


# Concept III-700

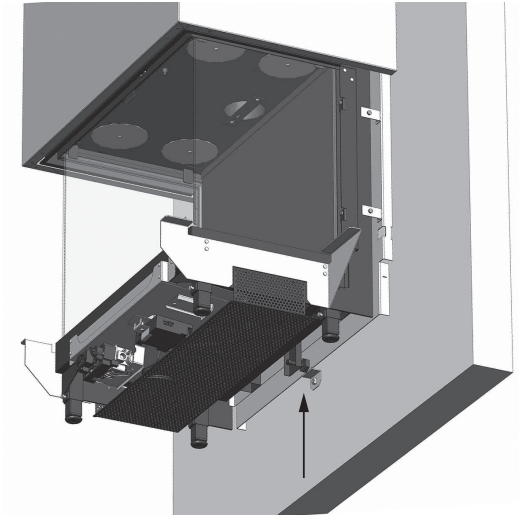


40011626-1551 Concept III-700 ENG

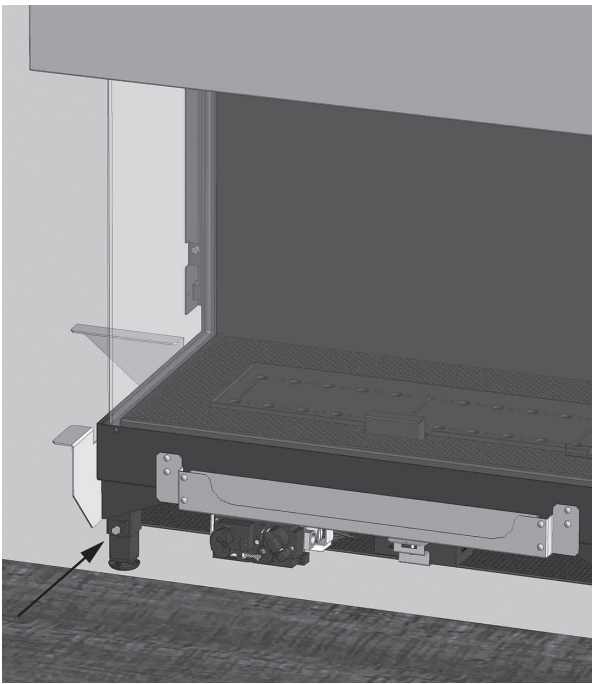
 **faber**



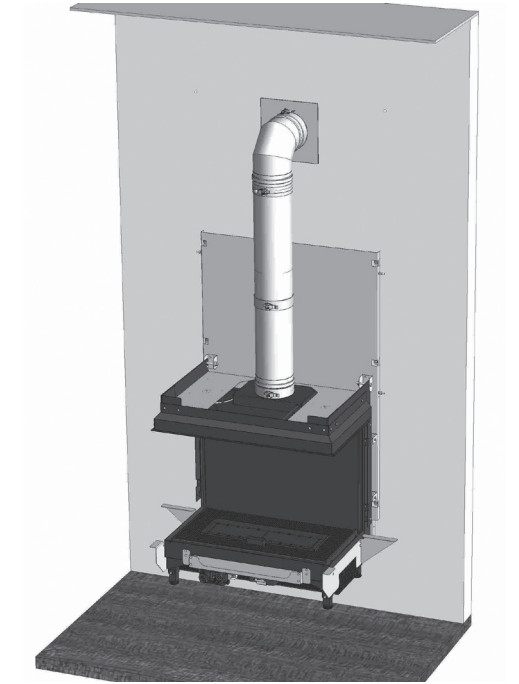
1.1



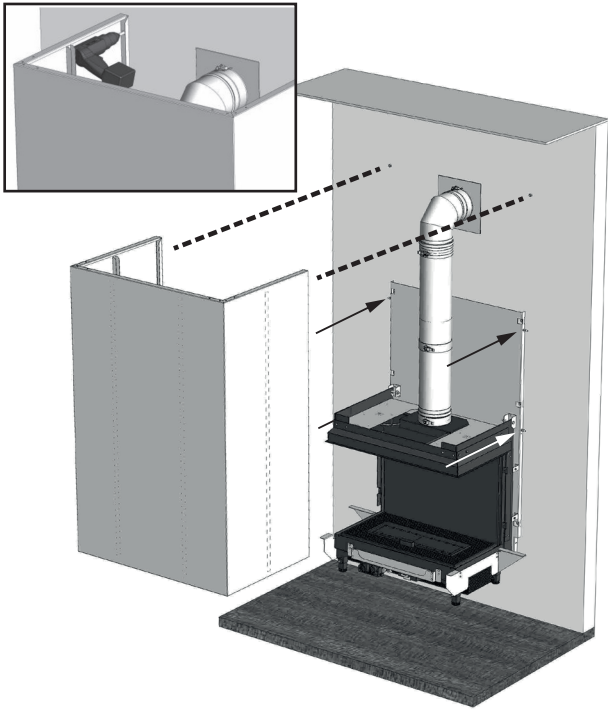
1.2



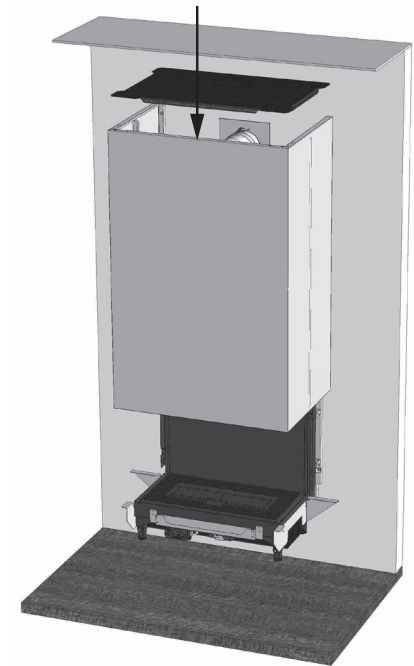
1.3



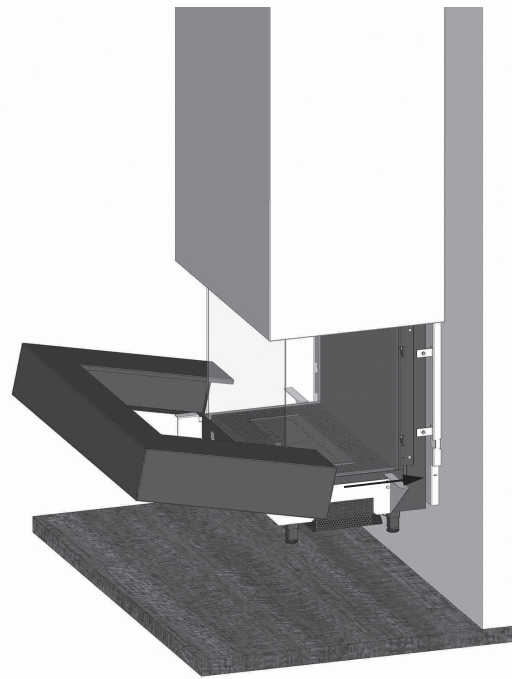
1.4



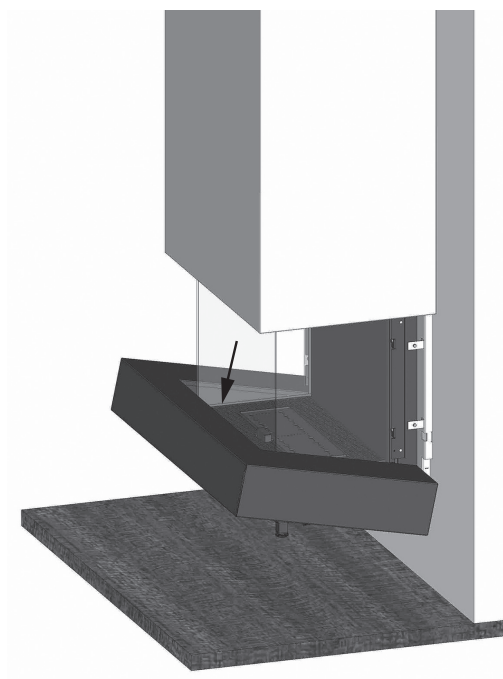
1.5



1.6

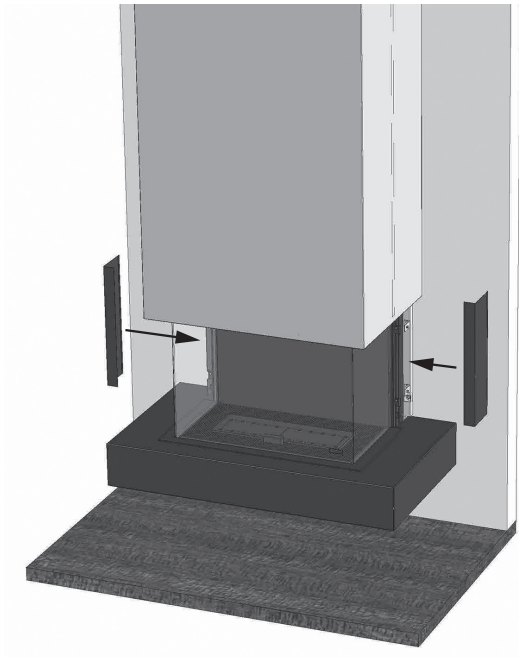


1.7a

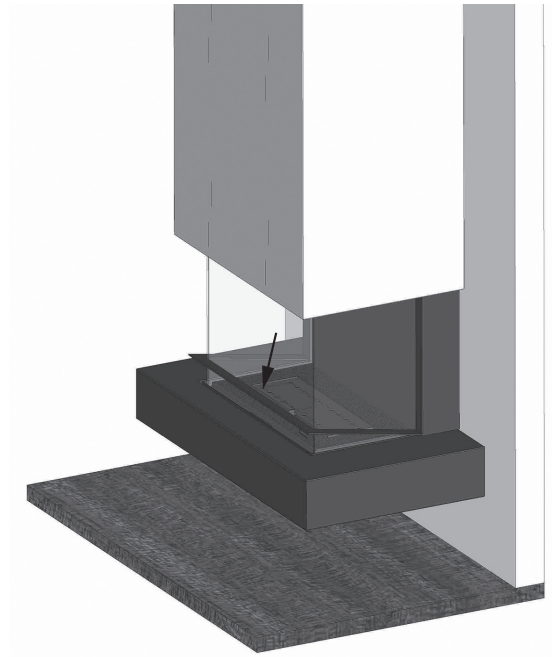


1.7b

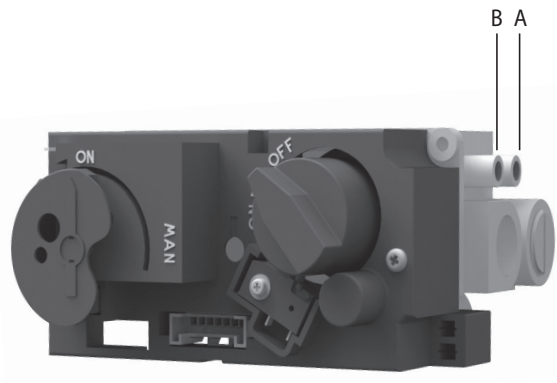
Installation Instructions



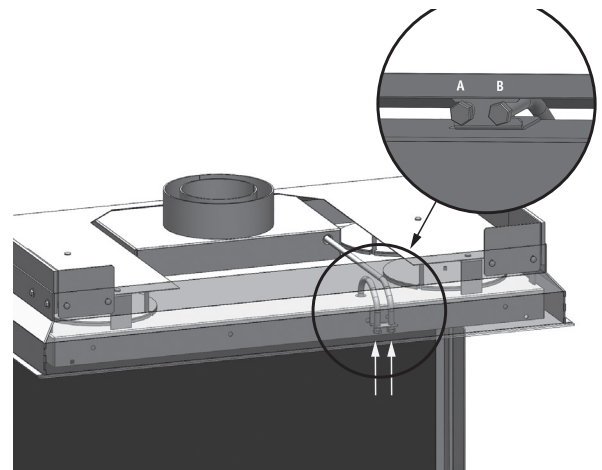
1.8



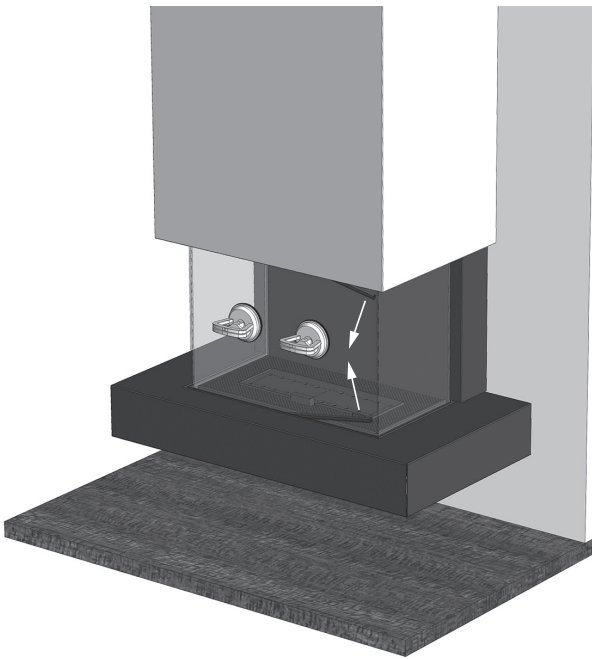
1.9



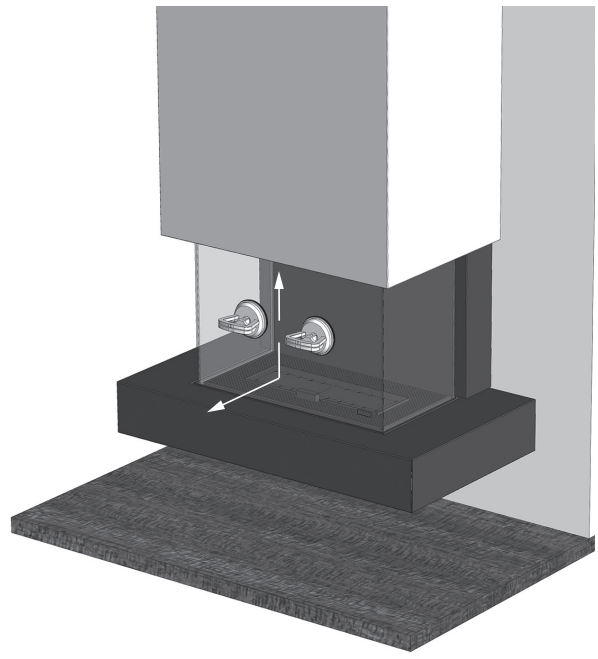
2.1



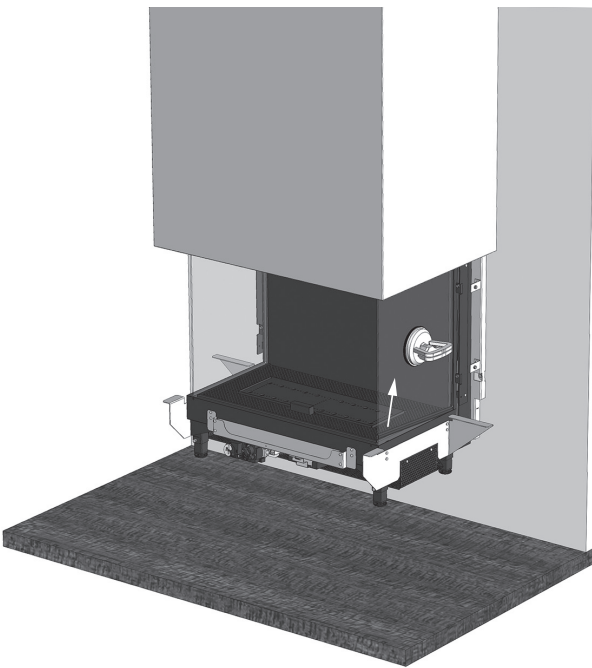
2.2



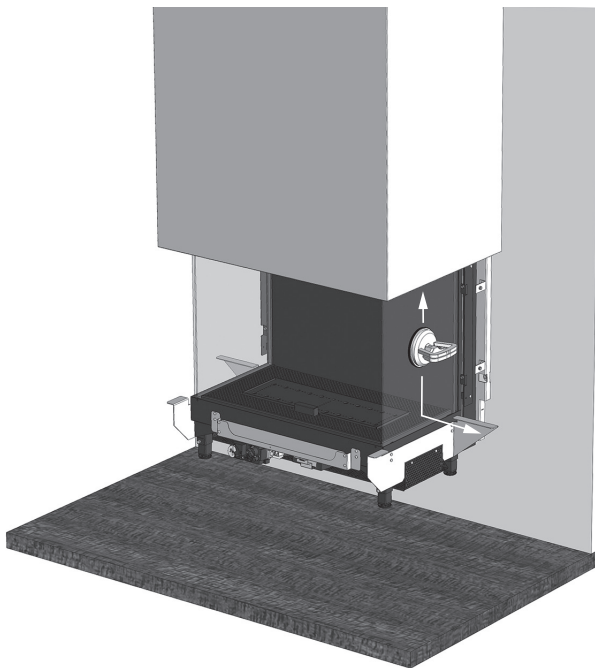
3.1



3.2

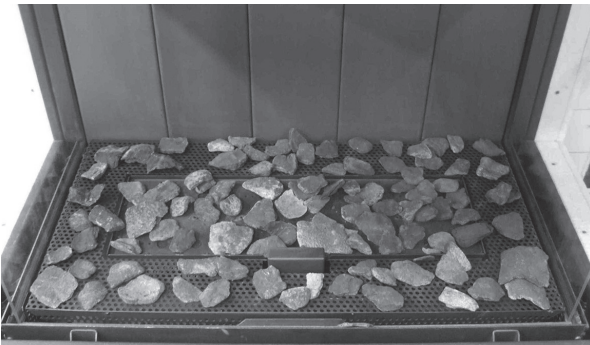


3.3



3.4

Installation Instructions



4.1



4.2



4.3



4.4

## 1 Dear User

Congratulations on your purchase of a Faber fire! A quality product from which you will experience warmth and ambience for many years. We recommend that you read these directions for use carefully before using the fire. If any problem arises despite our strict quality control, you can always contact your dealer or Glen Dimplex Benelux BV.

**For any warranty claims, it is essential you first register your fire. To this end, we have created a dedicated website. During this registration, you'll find all information regarding our warranty.**

- > **Please note:**  
The data of your fire is available in the user manual.

You can register your fire at: [www.gdbservice.com](http://www.gdbservice.com)

Glen Dimplex Benelux BV  
Address: Saturnus 8  
NL-8448 CC  
Heerenveen  
Tel: +31 (0)513 656 500  
Fax: +31 (0)513 656 501  
E-mail: [info@glendimplex.nl](mailto:info@glendimplex.nl)  
Information: [www.glendimplex.nl](http://www.glendimplex.nl)

### 1.1 Introduction

Only have the appliance installed by a qualified installer according to the gas safety regulations.  
Read this installation manual properly.

### 1.2 Check

Check the fire and false chimney breast for damages and immediately inform your supplier of any damages.

Check whether all of the parts below are included:

1. Outlet
2. Top cover
3. Template (inside duct)
4. Discharge materials (inside box)
5. Wall mount
6. Left and right cover
7. Platform
8. Cover strip front
9. Suction cups (2x)
10. Wood set
11. Wood set instructions
12. Installation instructions
13. User's manual
14. Warranty card
15. Remote control
16. Wall mount remote control

### 1.3 CE Declaration

We hereby declare that the Faber gas room heater distributed by Glen Dimplex Benelux meets all essential requirements of the Gas Appliances Directive through its design and construction.  
Product: gas room heater

Model: Concept III-700  
Applicable EC directives: 2009/142/EC  
Harmonised standards applied: NEN-EN-613 and NEN-EN-613/A1

This declaration will become null and void as soon as the unit is in any way modified without written authorisation of Glen Dimplex Benelux.

## 2 Safety instructions

- The unit must be installed and checked every year according to these instructions and the applicable national and local regulations.
  - Ensure that the data on the type label matches the local gas type and pressure.
  - The settings and the construction of the fire must not be changed!
  - Do not place extra imitation wood or other material on the burner or in the combustion chamber.
  - The unit is for atmosphere and heating purposes. This means that all surfaces, including the glass, can be very hot (over 100°C); exceptions to this are the bottom of the fire and the control elements.
  - Do not place any combustible materials within 0.5m of the radiation area of the fire.
  - Through the natural air circulation of the fire moisture and uncured volatile components from paint, building materials and carpeted floors, etc. are attracted. These parts can settle as soot on cold surfaces. Therefore do not light the fire shortly after installation.
  - When lighting the fire for the first time, run it for after several hours on the highest setting, so that the paint can cure. Provide adequate ventilation, so that any fumes can be discharged.
  - We recommend that persons are present in the room as little as possible during this process.
- > **Please note:**
1. All transport packaging must be removed.
  2. No children and pets are allowed in the room.

## 3 Installation requirements

### 3.1 Fire

- Check the strength of the wall where the unit will be installed, the weight of the fire when fully assembled is approximately 145kg.

### 3.2 False chimney breast

- The minimum height of the room is 2.25 meters.
- The minimum required free space between the ceiling and the false chimney breast is 200mm. This ensures proper functioning of the vent and prevents decolourisation of the ceiling.
- The false chimney breast can be finished with any desired paint or fibreglass wallpaper.

### 3.3 Discharge and outlet requirements

- Always use the supplied discharge materials for the supply and discharge ducts. Only with use of these materials **Faber** can guarantee proper performance.
- When installing against a flammable wall, a special wall termination must be applied.  
You can order this from Glen Dimplex Benelux BV.

### 3.4 Outlets

Check whether the outlet meets all local regulations with regards to obstruction and vents.

- > **Please note:**  
For proper functioning, the outlet must at least be 0.5m away from:
  - Corners of the building.
  - Roof overhangs and balconies.
  - Eaves (with exception of the roof-ridge edge) (see chapter 12)

## 4 Preparation and installation instructions

### 4.1 Gas connection

The gas connection must comply with the applicable local standards.

We advise using a Ø 15mm gas connection directly from the gas meter to the appliance, with a shut-off valve in the proximity of the appliance, which must always be freely accessible.

Position the gas connection so that it is easily accessible at all times for service, and that the burner unit can be disassembled.

### 4.2 Electrical connection

If for the power supply an adapter is used, then a 230VAC/50Hz wall socket must be mounted near the fire.

#### 4.2.1 Smart-Home installation

You can connect the control unit to the receiver with an external source, such as a Domotica home automation system, using the 5-wire pin connector.

*(part G60-ZCE/500 The total length of the cable may not exceed 8 meters, Signal relay (gold-plated contacts) or opto-couples are recommended! Art. No.: 06022950).*

### 4.3 Preparing the fire

- Remove the fire and accessories from the packaging.
- Clear a space to safely store the glass, if required.
- If required, remove the glass and remove the packaged parts from the fire.
- Prepare the gas connection on the regulator.

### 4.4 Positioning the fire

Take the installation requirements into account (see Chapter 3).

- First, determine the desired height of the platform and then tape the template (horizontally) onto the wall at that height (see Dimensional drawing 14.3).
- The platform height marked on the template is 400mm. Higher platform levels are possible as long as the ceiling height "G" (size drawing 14.3) is not exceeded. Lower installation is possible as long as "F" is not exceeded. You may cut the template in intervals of 50 mm.
- Mark and then drill all required holes.
- Install the wall mount on the wall (fig. 1.1).
- Hang the fire on the wall mount.  
Vertically level the fire using the spacer at the bottom back of the gas fire (fig. 1.2).
- The feet underneath the fire can be retracted so that they are out of sight. (fig. 1.3) To do this, loosen the bolt, slide the feet upwards and then tighten the bolt.

### 4.5 Installing the flue gas discharge pipes

- When penetrating a wall the opening must be at least 5mm larger than the diameter of the discharge material.
- Horizontal sections should be installed with a slope towards the fire (3 degrees).
- Build the system from the fire up (fig. 1.4). The sliding spacer allows for easy installation.

- > **Please note:**  
The slider must be fixed with a drill screw.
- The wall duct may be shortened.

### 4.6 False chimney breast installation

Suspend the false chimney breast from the 4 protruding bolts of the wall mount. Then secure it using the top two mounting holes (fig. 1.5).

#### 4.6.1 False chimney breast top installation

The top of the false chimney breast can be installed without any mounting materials.  
(See fig. 1.6).

#### 4.6.2 Finishing the false chimney breast

If possible, conduct a performance test of the fire before finalizing the false chimney breast.  
Chapter 7 "checking the installation".

### 4.7 Platform installation

- Install the platform according to fig. 1.7a and 1.7b

### 4.8 Mounting the decorative materials

- First, install the left and right decorative materials securing them with the adjustable magnetic snappers (fig. 1.8).
- Then, install the lower decorative frame.

**Prevent** damaging the platform (fig. 1.9).



## 5 Removing the glass

### 5.1 Removing the glass from the front

- Remove the decorative frame (fig. 1.9)
- Place suction cups onto the glass and remove the sealing cord from the groove. (fig. 3.1).
- Slide the glass to the top so that the bottom is released from the slot. Now pull the glass out and gradually down. (fig. 3.2)

### 5.2 Removing the glass from the side

It is not necessary to take out the glass from the side to place the wood set or for maintenance.

- First remove the front glass (see chapter 5).
- Remove the decorative materials (fig. 1.8)
- Remove the platform (fig. 1.7a en 1.7b)
- Place suction cups onto the glass and remove the sealing cord from the groove. (fig. 3.3)
- Slide the glass to the top so that the bottom is released from the slot. Now carefully slide the glass outwards and downwards (fig. 3.4)

> **Please note:**

Replace the glass in reverse order.

Clean all fingerprints on the glass; otherwise they will burn in once the fire is used.

## 6 Placing the decoration material

It is not permitted to use other or to add more material in the combustion chamber.

Keep the pilot light always free of decoration material!

Do not place all decoration material at one time on the burner; the fabric parts can block it.

### 6.1 Wood set

- Place some of the chips on the burner and on the bottom.
- Place the wood set according to the instructions (see fig. 4.1 through 4.4 of the included wood set chart)
- Divide the rest of the chips on the burner and on the bottom. Prevent a thick layer on the burner; this adversely affects the fire image.

Start the fire as described in the user manual. Check if the flame distribution is good. Move the chips if necessary, until a good flame distribution is achieved.

## 7 Checking the installation

### 7.1 Checking the pilot light and main burner.

Ignite the fire as described in the user manual.

- Check the ignition of the pilot light.

> **Please note:**

- Ensure that the ignition cable is not tight but hangs loosely under the unit, this is necessary for proper ignition. Remove all tie-wraps.

- Check that the pilot flame is well above the main burner and not covered by chips or a wood block.
- Check the ignition of the main burner on full and small setting.  
(ignition must be smooth and quiet).

### 7.2 Checking for gas leaks

Check with a gas leak finder or spray all connections and pipes for gas leakage.

### 7.3 Checking the burner pressure and primary pressure

Check that the burner pressure and primary pressure match the information listed in the manual, Chapter 11 Technical Data.

**Measuring the primary pressure:**

- Close the shutoff valve.
- Turn measuring nipple **B** (see fig. 2.1) some turns open and connect a measuring hose to the gas regulator.
- Take this measurement at highest setting of the fire and when the fire is set to pilot light.
- Do not connect the unit if the pressure is too high.

**Measuring the burner pressure:**

Check the burner pressure only with proper primary pressure.

- Turn measuring nipple **A** (see fig. 2.1) some turns open and connect a measuring hose to the gas regulator.
- The pressure must correspond to the value indicated in the technical specifications of this manual. In case of deviation contact the manufacturer.

> **Please note:**

Close all pressure measuring nipples and check for gas leakage.

### 7.4 Checking the flame image

Let the fire burn for at least 20 minutes at highest setting and check the flame for:

1. Flame distribution
2. Colour of the flames

If one or both points are unacceptable, check the following:

- The wood set preparation and/or the amount of chips on the burner.
- The pipe connections for leaks (in case of blue flames).
- The outlet.
  - Wall penetration with right side up and in the right position

### 7.5 Flue gas analyzer.

If you are in possession of a CO/CO<sub>2</sub> flue gas analyzer, then it is possible to check the supply air and the combustion gases.

To this end, the front of the fire is provided with two measuring pipes between the build-in frame and glass cover (fig. 2.2)

A=discharge, B=supply.

The ratio CO<sub>2</sub> and CO must not be greater than 1:100.

Example:

CO<sub>2</sub> is 4% and CO is 400ppm, measured at the highest point

If the ratio is greater than 1:100 or exhaust gases are measured in the supply air, then also check above points.

## 8 Instructions for client

- Recommend that the unit should be checked annually by a qualified specialist to ensure the safe use and to guarantee a long service life.
- Give advice and instructions on care and cleaning of the glass. Highlight the danger of burnt-in fingerprints.
- Instruct the customer on the operation of the unit and the remote control, including replacing the batteries and setting the receiver.
- Handover to customer:
  - Installation instructions
  - User manual
  - Wood set instruction card
  - Suction Cups

## 9 Annual maintenance

### 9.1 Checking and cleaning:

- Check and clean if necessary after verification:
  - The pilot light
  - The combustion chamber
  - The glass
  - The ceramic logs for breakage.
  - The outlet.
  - Replace, if necessary:
    - Chips/Embers.

### 9.2 Cleaning the glass

Most deposits can be removed with a dry cloth. Clean the glass with a ceramic hob cleaner.

> **Please note:**

Avoid fingerprints on the glass. These are no longer removable after they are burnt in!

Now carry out check-up as described in Chapter 7 "Checking after installation".

## 10 Conversion to other gas type

The conversion to a different gas type may only be performed by a qualified installer/dealer.

### 10.1 Conversion from natural gas to propane (or vice versa)

This can only be done by replacing the burner. To do so, please contact your dealer.  
Specify with your order always the type and serial number of the device.

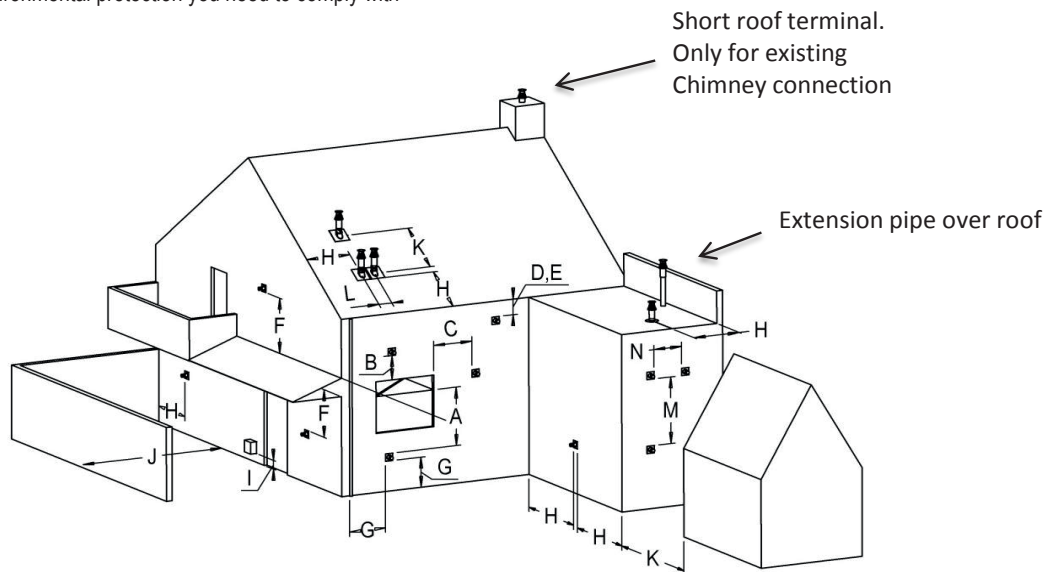
## 11 Technical data

Gas category		II2H3+	II2H3+	II2H3+
Type appliance		C11/C31/C91	C11/C31/C91	C11/C31/C91
Reference gas		G20	G30	G31
Input Hi	kW	9,7	9	8,8
Efficiency class		2	2	2
NOx-class		5	5	5
Inlet pressure	mbar	20	30	37
Gas rate (at 15° C and 1013 mbar)	m <sup>3</sup> /h	1,016	0,269	0,347
	gr/h	-	507	650
Burner pressure at full mark	mbar	12	25,5	31,5
Injector main burner	mm	ST.800	ST.280	ST.280
Reduced input restraint	mm	2,1	1,3	1,3
Pilot flame		SIT160	SIT160	SIT160
Code pilot flame injector		Nr.36	Nr.23	Nr.23
Diameter outlet/inlet	mm	100/150	100/150	100/150
Gas control valve		GV60	GV60	GV60
Gas connection		3/8"	3/8"	3/8"
Electrical connection	V	230	230	230
Batteries receiver	V	(4x) 1,5 AA	(4x) 1,5 AA	(4x) 1,5 AA
Batteries remote	V	9	9	9

## 12 Outlet position

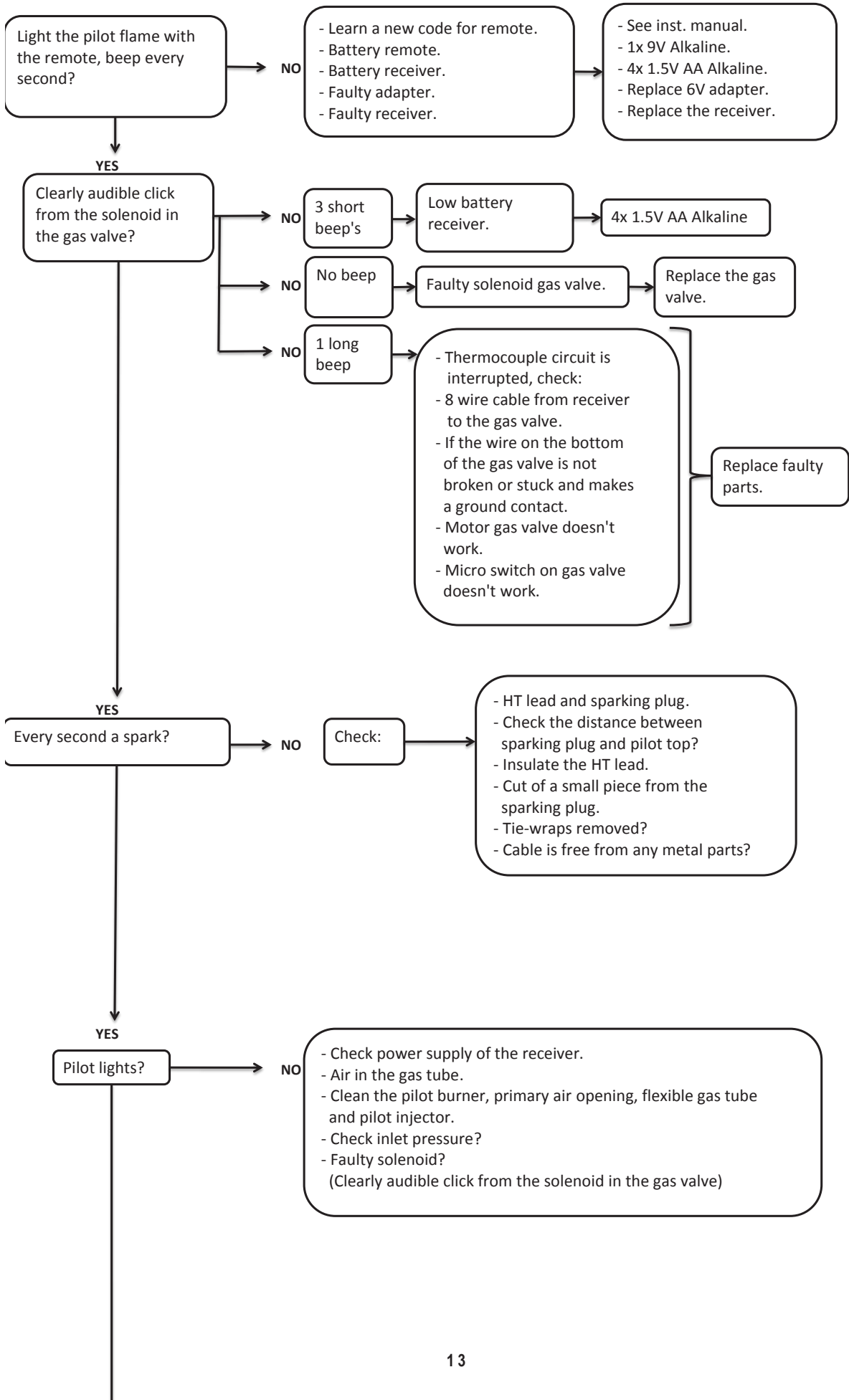
> **Please note:**

These rules apply only for the proper functioning of the unit, for ventilation and environmental protection you need to comply with the applicab

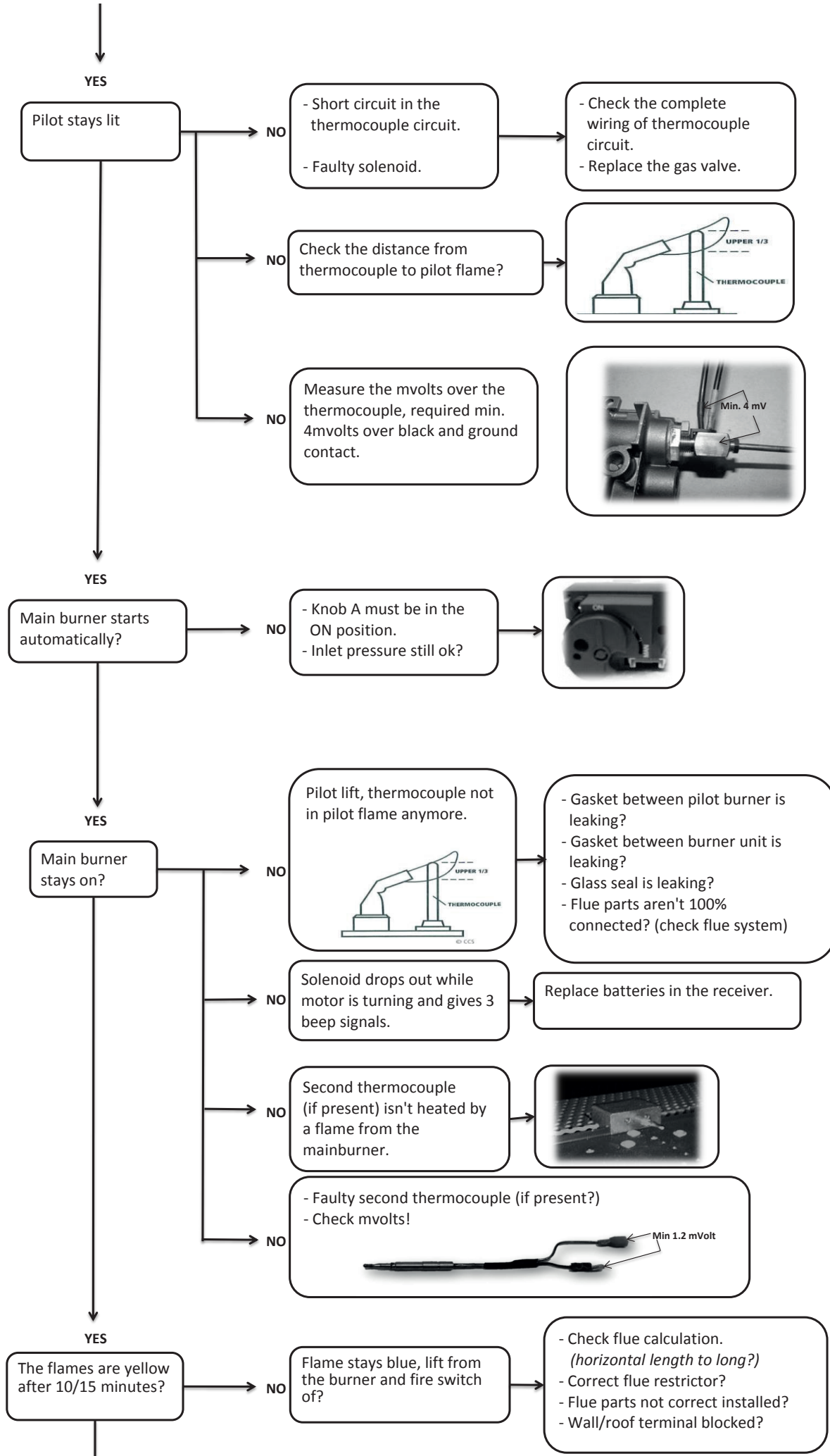


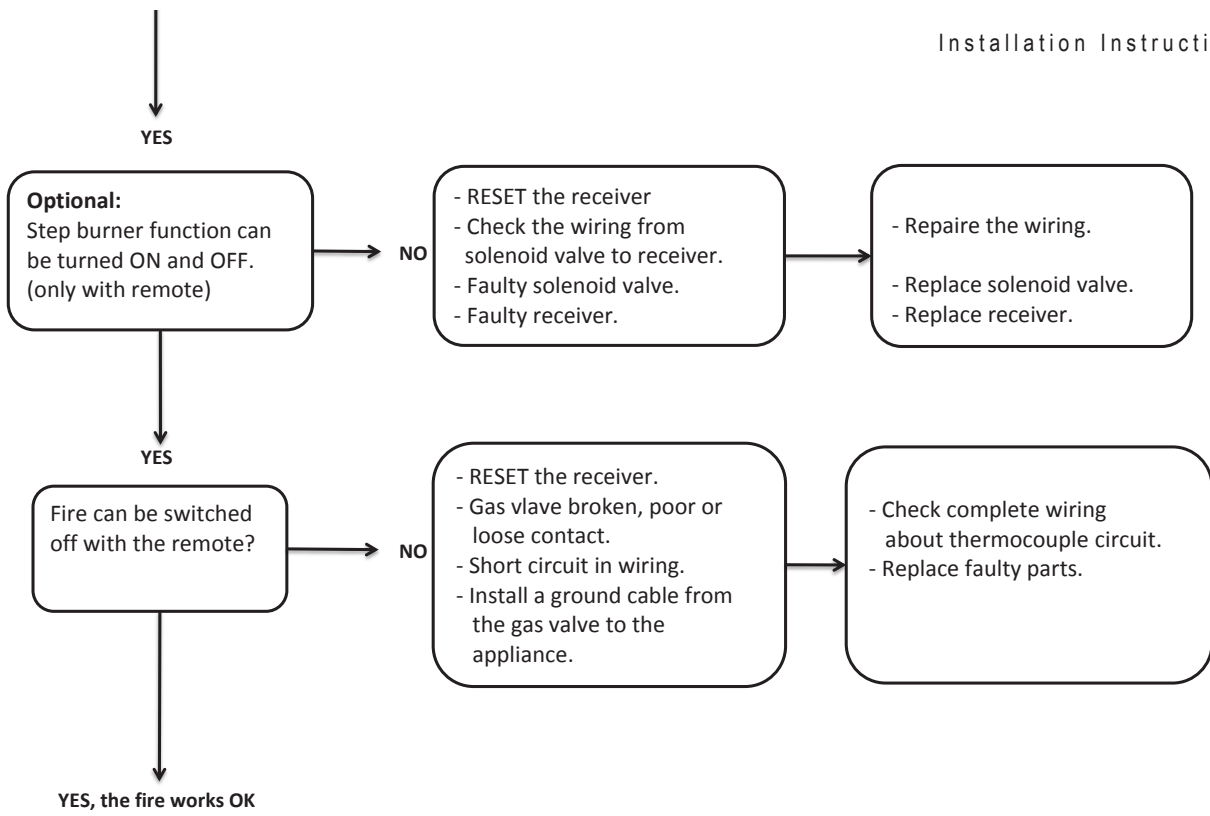
Location	Position outlet	Distance mm
D	Under a gutter	500
E	Under a roof edge	500
F	Under a carport or balcony	500
G	Vertical downpipe	300
H	Inside and outside corners	500
J	From wall surface to a wall outlet	1000
K	Two gable outlets against over each other	1000
L	Distance between two roof outlets	450
M	Two roof outlets above each other on a pitched roof	1000
N	Two gable outlets next to each other	1000

# 13 Support list



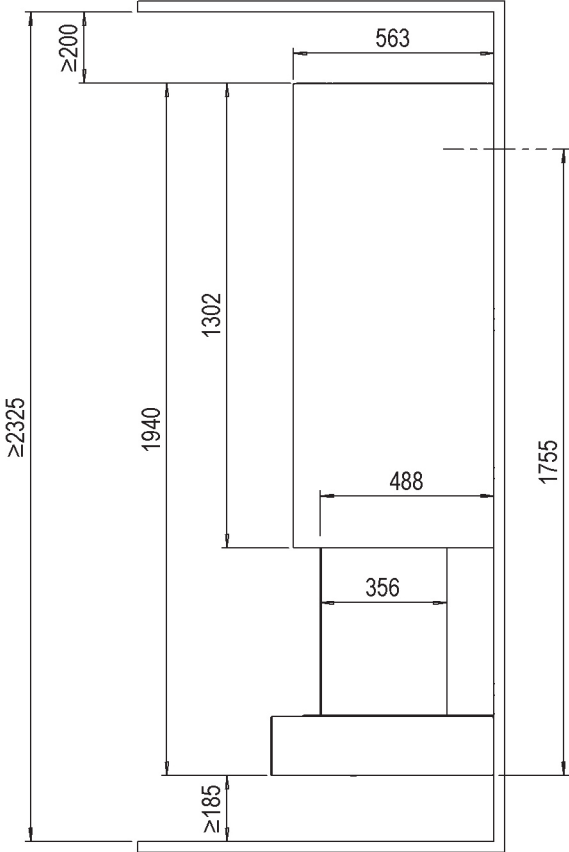
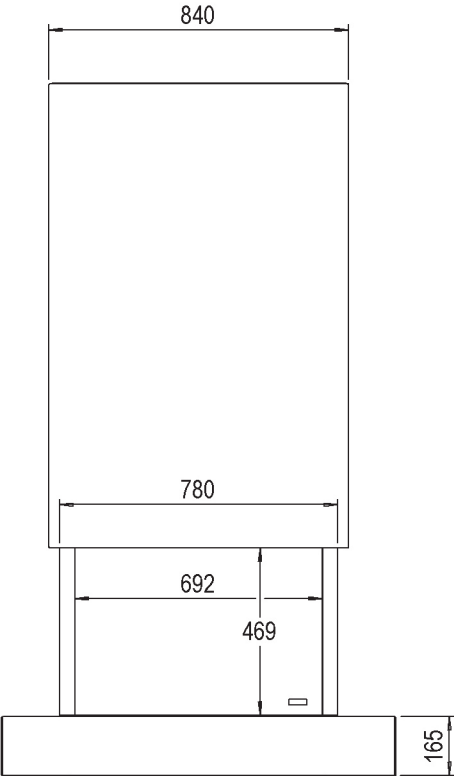
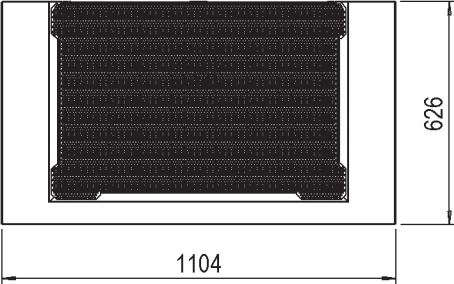
Installation Instructions





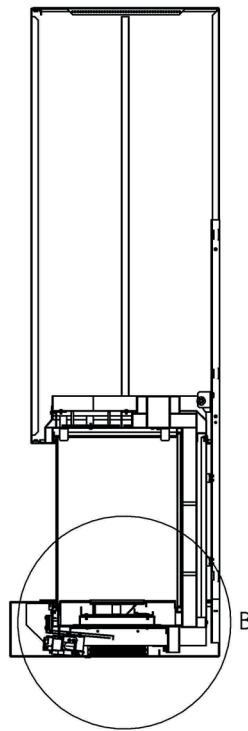
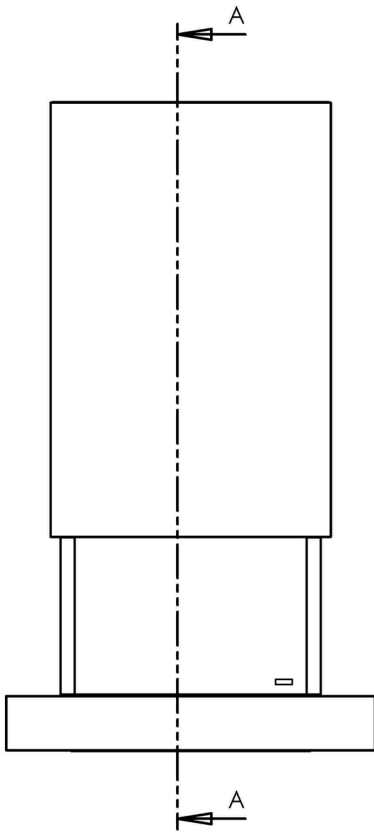
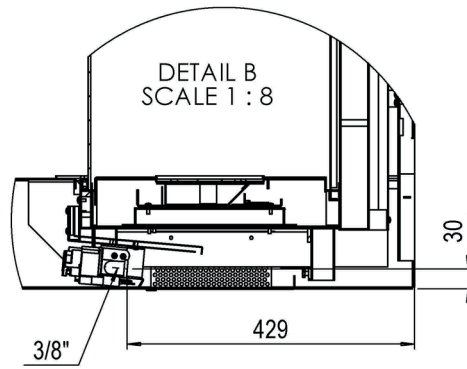
# 14 Dimensional drawings

## 14.1 Concept III-700



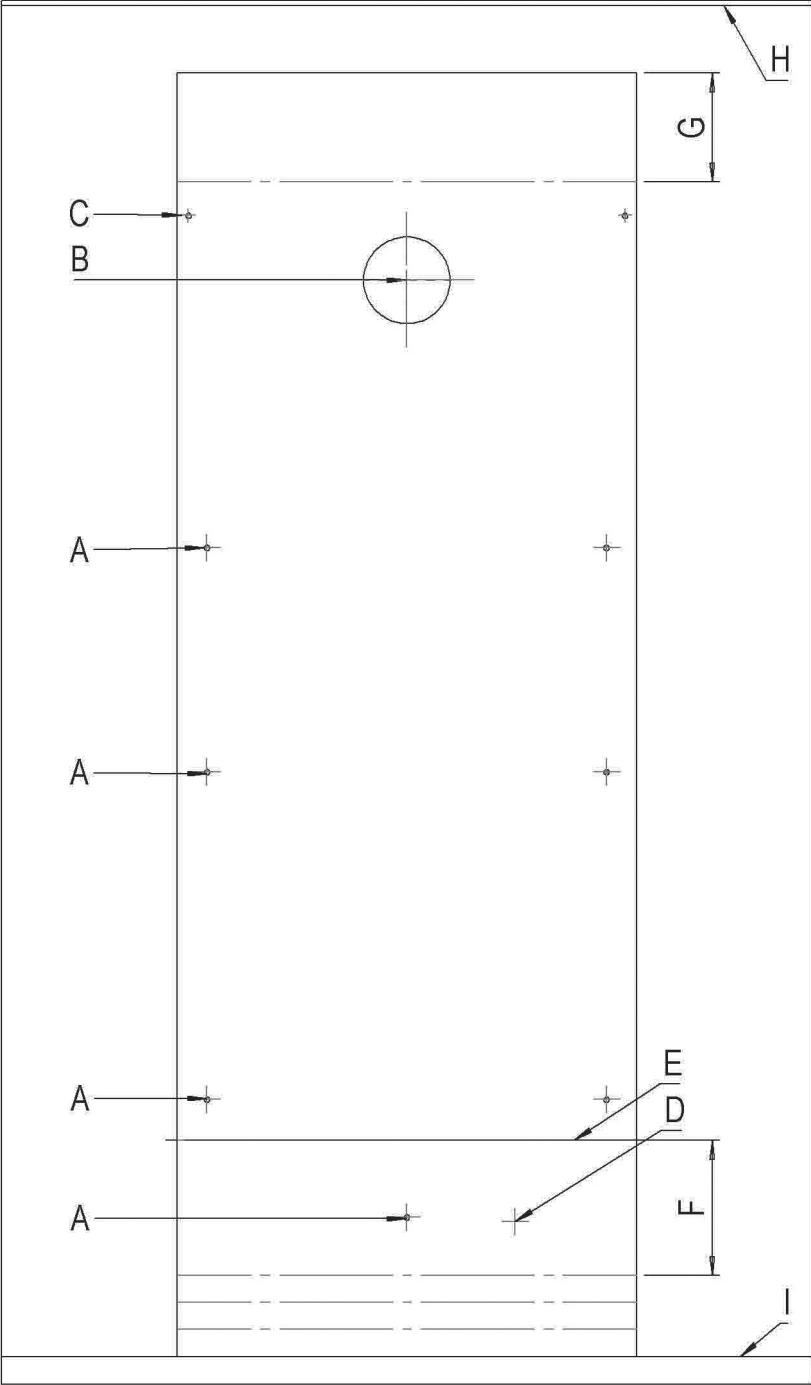


14.2 Position gass connection



SECTION A-A

14.3 Holes template



- A = Mounting holes for wall mount
- B = Hole for wall duct
- C = Mounting hole for false chimney breast
- D = Position of gas tap
- E = Top platform
- F = Minimum height platform-floor
- G = Minimum height breast-ceiling
- H = Ceiling
- I = Floor





[www.faber.nl](http://www.faber.nl)

[info@faber.nl](mailto:info@faber.nl)

Saturnus 8  
Postbus 219

NL - 8448 CC Heerenveen  
NL - 8440 AE Heerenveen

---

Dealerinfo:

---